

ROBOTICS

Product manual, spare parts

IRB 910INV



Trace back information:
Workspace 22C version a10
Checked in 2022-09-29
Skribenta version 5.5.019

Product manual, spare parts

IRB 910INV-3/0.35

IRB 910INV-6/0.55

OmniCore

Document ID: 3HAC068056-001

Revision: E

The information in this manual is subject to change without notice and should not be construed as a commitment by ABB. ABB assumes no responsibility for any errors that may appear in this manual.

Except as may be expressly stated anywhere in this manual, nothing herein shall be construed as any kind of guarantee or warranty by ABB for losses, damage to persons or property, fitness for a specific purpose or the like.

In no event shall ABB be liable for incidental or consequential damages arising from use of this manual and products described herein.

This manual and parts thereof must not be reproduced or copied without ABB's written permission.

Keep for future reference.

Additional copies of this manual may be obtained from ABB.

Original instructions.

© Copyright 2019-2022 ABB. All rights reserved.
Specifications subject to change without notice.

Table of contents

Overview of this manual	7
Product documentation	9
1 Spare parts and exploded views	11
1.1 Spare parts - electrical parts	12
1.1.1 Base harness parts	12
1.1.2 Internal harness parts	13
1.1.3 Process Hub parts	14
1.1.4 SMB parts	15
1.1.5 Manipulator cable harness parts	16
1.2 Spare parts - base	17
1.2.1 Base parts	17
1.3 Spare parts - inner arm	20
1.3.1 Inner arm	20
1.3.2 Inner arm parts	21
1.4 Spare parts - outer arm	22
1.4.1 Outer arm	22
1.4.2 Outer arm parts	23
1.4.3 Ball screw	25
1.4.4 Bellows	26
1.5 Spare parts - motors	29
1.5.1 Axis-1 motor sub-assembly	29
1.5.2 Axis-2 motor sub-assembly	30
1.5.3 Axis-3 motor sub-assembly	31
1.5.4 Axis-4 motor sub-assembly	32
1.6 Spare parts - gearboxes	33
1.6.1 Axis-1 gearbox	33
1.6.2 Axis-2 gearbox	34
1.7 Spare parts - Accessories	35
1.7.1 Axis Calibration items - Protective plug	35
1.7.2 Axis Calibration items - Protective cap	37
1.7.3 Axis Calibration items - O-Ring	38
1.7.4 Special tools	39

This page is intentionally left blank

Overview of this manual

About this manual

This manual contains spare parts for:

- IRB 910Inv and all its variants.

Usage

This manual shall be used as a complement to the product manual for IRB 910INV during:

- maintenance work
- repair work.

Who should read this manual?

This manual is intended for:

- maintenance personnel
- repair personnel.

Prerequisites

A maintenance/repair/installation craftsman working with an ABB Robot must:

- be trained by ABB and have the required knowledge of mechanical and electrical installation/repair/maintenance work.

Organization of chapters

The manual is organized in the following chapters:

Chapter	Contents
Spare parts and exploded views	Complete spare part list and complete list of robot components shown in exploded views.

References

Reference	Document ID
<i>Product manual - IRB 910INV</i>	3HAC068055-001
<i>Circuit diagram - IRB 910INV</i>	3HAC061899-011

Revisions

Revision	Description
A	First edition.
B	Published in release 19D. The following updates are done in this revision: <ul style="list-style-type: none"> • The protection type <i>Clean Room</i> and protection class IP54 are added throughout the manual.
C	Published in release 20B. The following updates are done in this revision: <ul style="list-style-type: none"> • Supported controller OmniCore C90XT is added.
D	Published in release 22B. The following updates are done in this revision: <ul style="list-style-type: none"> • Changed spare part name of A15:01, UL lamp to Signal lamp unit (14 mm). • Updated motors spare part numbers.

Continues on next page

Overview of this manual

Continued

Revision	Description
E	Published in release 22C. The following updates are done in this revision: <ul style="list-style-type: none"><li data-bbox="655 338 1102 374">• Updated motors spare part numbers.

Product documentation

Categories for user documentation from ABB Robotics

The user documentation from ABB Robotics is divided into a number of categories. This listing is based on the type of information in the documents, regardless of whether the products are standard or optional.



Tip

All documents can be found via myABB Business Portal, www.abb.com/myABB.

Product manuals

Manipulators, controllers, DressPack/SpotPack, and most other hardware is delivered with a **Product manual** that generally contains:

- Safety information.
- Installation and commissioning (descriptions of mechanical installation or electrical connections).
- Maintenance (descriptions of all required preventive maintenance procedures including intervals and expected life time of parts).
- Repair (descriptions of all recommended repair procedures including spare parts).
- Calibration.
- Troubleshooting
- Decommissioning.
- Reference information (safety standards, unit conversions, screw joints, lists of tools).
- Spare parts list with corresponding figures (or references to separate spare parts lists).
- References to circuit diagrams.

Technical reference manuals

The technical reference manuals describe reference information for robotics products, for example lubrication, the RAPID language, and system parameters.

Application manuals

Specific applications (for example software or hardware options) are described in **Application manuals**. An application manual can describe one or several applications.

An application manual generally contains information about:

- The purpose of the application (what it does and when it is useful).
- What is included (for example cables, I/O boards, RAPID instructions, system parameters, software).
- How to install included or required hardware.
- How to use the application.

Continues on next page

- Examples of how to use the application.

Operating manuals

The operating manuals describe hands-on handling of the products. The manuals are aimed at those having first-hand operational contact with the product, that is production cell operators, programmers, and troubleshooters.

1 Spare parts and exploded views

Spare part level

ABB spare parts are categorized into two levels, L1 and L2. Always check the part level before conducting a service work on a spare part.

- L1 spare parts

The L1 parts can be replaced in the field. The maintenance and replacement instructions given in the related product manuals must be strictly followed. If there are any problems, contact your local ABB for support.

- L2 spare parts

To replace the L2 parts require specialized training and might need special tools. Only ABB field service personnel or qualified personnel trained by ABB can replace L2 parts.

Continues on next page

1 Spare parts and exploded views

1.1.1 Base harness parts

1.1 Spare parts - electrical parts

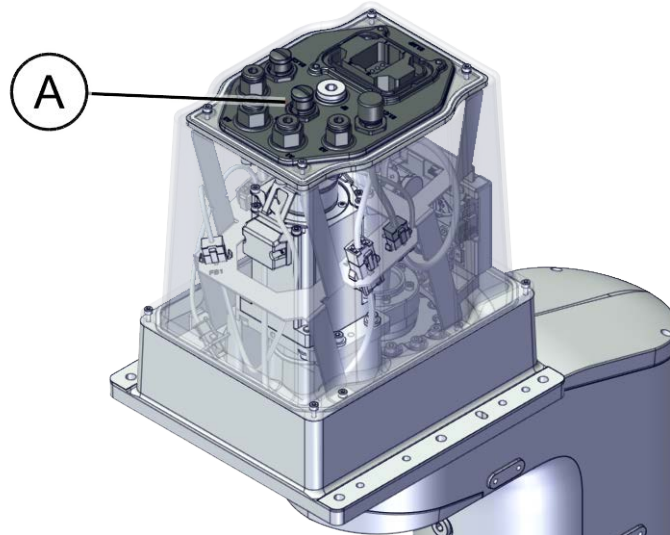
1.1.1 Base harness parts

Spare part list

	Spare part number	Description	Standard, IP30 ⁱ		Clean Room		IP54		Spare part level
			3/0.35	6/0.55	3/0.35	6/0.55	3/0.35	6/0.55	
A	3HAC073378-001	Base harness, B	X	X			X	X	L2
	3HAC073381-001	Base harness, B, Clean Room Used with protection type Clean Room.			X	X			L2
	3HAC073379-001	Base harness, B+C1+A	X	X			X	X	L2
	3HAC073382-001	Base harness, B+C1+A, Clean Room Used with protection type Clean Room.			X	X			L2
	3HAC073380-001	Base harness, B+C1+C2+A	X	X			X	X	L2
	3HAC073383-001	Base harness, B+C1+C2+A, Clean Room Used with protection type Clean Room.			X	X			L2

ⁱ The protection class of the ballscrew area is IP20. For more information, please contact ABB.

Spare part illustration



xx1800003531

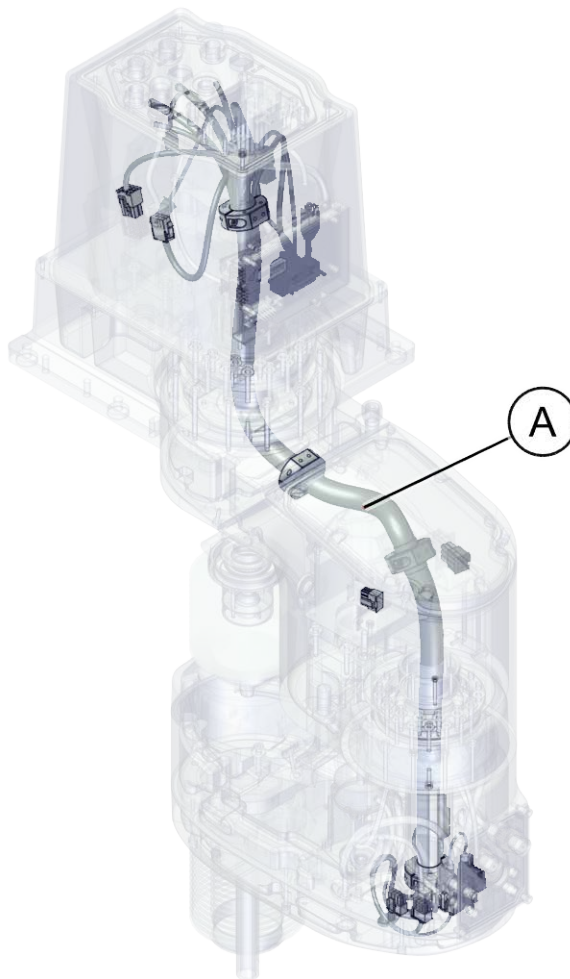
1.1.2 Internal harness parts

Spare part list

	Spare part number	Description	Standard, IP30 ⁱ		Clean Room		IP54		Spare part level
			3/0.35	6/0.55	3/0.35	6/0.55	3/0.35	6/0.55	
A	3HAC063752-007	Internal harness, B	X		X		X		L2
	3HAC063752-008	Internal harness, B		X		X		X	L2
	3HAC063752-005	Internal harness, B+C1+A	X		X		X		L2
	3HAC063752-006	Internal harness, B+C1+A		X		X		X	L2
	3HAC063752-001	Internal harness, B+C1+C2+A	X		X		X		L2
	3HAC063752-004	Internal harness, B+C1+C2+A		X		X		X	L2

ⁱ The protection class of the ballscrew area is IP20. For more information, please contact ABB.

Spare part illustration



xx1800003533

1 Spare parts and exploded views

1.1.3 Process Hub parts

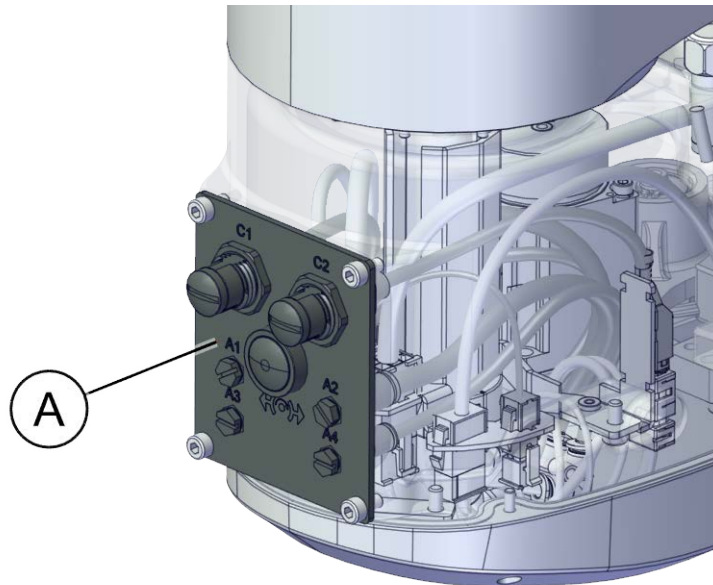
1.1.3 Process Hub parts

Spare part list

	Spare part number	Description	Standard, IP30 ⁱ		Clean Room		IP54		Spare part level
			3/0.35	6/0.55	3/0.35	6/0.55	3/0.35	6/0.55	
A	3HAC063756-005	Process hub, B	X	X	X	X	X	X	L2
	3HAC063756-004	Process hub, B+C1+A	X	X	X	X	X	X	L2
	3HAC063756-001	Process hub, B+C1+C2+A	X	X	X	X	X	X	L2

ⁱ The protection class of the ballscrew area is IP20. For more information, please contact ABB.


Spare part illustration



xx1800003532

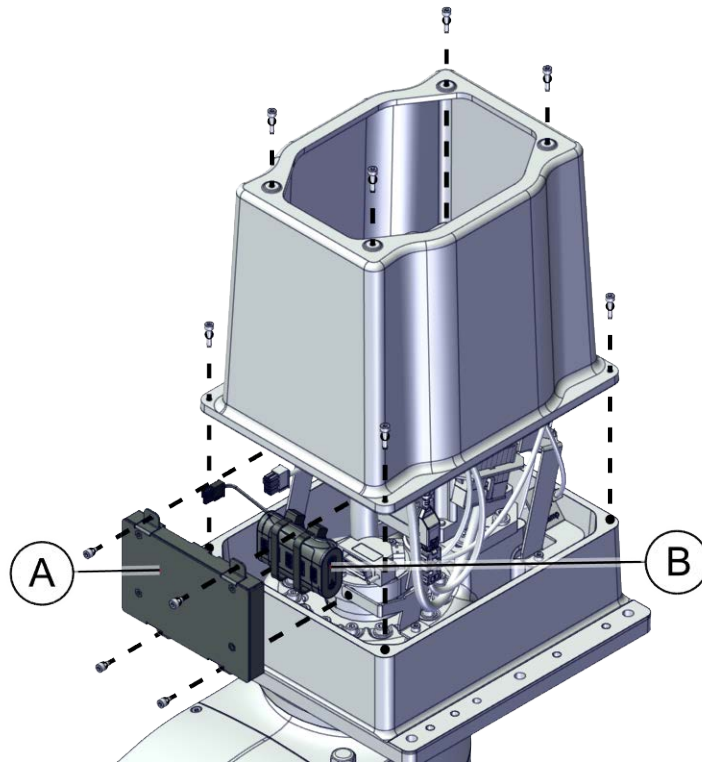
1.1.4 SMB parts

Spare part list

	Spare part number	Description	Standard, IP30 ⁱ		Clean Room		IP54		Spare part level
			3/0.35	6/0.55	3/0.35	6/0.55	3/0.35	6/0.55	
A	3HAC063968-001	SMB unit	X	X	X	X	X	X	L2
B	3HAC044075-001	Battery unit  Note Battery pack is wear part.	X	X	X	X	X	X	L2

ⁱ The protection class of the ballscrew area is IP20. For more information, please contact ABB.

Spare part illustration



xx1800003534

1 Spare parts and exploded views

1.1.5 Manipulator cable harness parts

1.1.5 Manipulator cable harness parts

Spare part list, Customer cables - CP/CS cable (option)

	Spare part number	Description	Standard, IP30 ⁱ		Clean Room		IP54		Spare part level
			3/0.35	6/0.55	3/0.35	6/0.55	3/0.35	6/0.55	
-	3HAC067449-001	3 m	X	X	X	X	X	X	L1
-	3HAC067449-002	7 m	X	X	X	X	X	X	L1
-	3HAC067449-003	15 m	X	X	X	X	X	X	L1

ⁱ The protection class of the ballscrew area is IP20. For more information, please contact ABB.

Spare part list, Customer cables - Ethernet floor cable (option)

	Spare part number	Description	Standard, IP30 ⁱ		Clean Room		IP54		Spare part level
			3/0.35	6/0.55	3/0.35	6/0.55	3/0.35	6/0.55	
-	3HAC067447-002	7 m	X	X	X	X	X	X	L1
-	3HAC067447-003	15 m	X	X	X	X	X	X	L1

ⁱ The protection class of the ballscrew area is IP20. For more information, please contact ABB.

Spare part list, Connector kits, outer arm (option)

	Spare part number	Description	Standard, IP30 ⁱ		Clean Room		IP54		Spare part level
			3/0.35	6/0.55	3/0.35	6/0.55	3/0.35	6/0.55	
-	3HAC066098-001	M12 CPCS Male straight connector kits	X	X	X	X	X	X	L1
-	3HAC066099-001	M12 CPCS Male angled connector kits	X	X	X	X	X	X	L1
-	3HAC067413-001	M12 Ethernet Cat5e Male straight connector kits	X	X	X	X	X	X	L1
-	3HAC067414-001	M12 Ethernet Cat5e Male angled connector kits	X	X	X	X	X	X	L1

ⁱ The protection class of the ballscrew area is IP20. For more information, please contact ABB.

1.2 Spare parts - base

1.2.1 Base parts

Spare part list

	Spare part number	Description	Standard, IP30 ⁱ		Clean Room		IP54		Spare part level
			3/0.35	6/0.55	3/0.35	6/0.55	3/0.35	6/0.55	
A	3HAC073045-001	Base cover, casting	X	X			X	X	L1
	3HAC073225-001	Base cover, casting, Clean Room			X	X			L1
B	3HAC066625-001	Gasket, cover			X	X	X	X	L1
C	3HAC066628-001	Gasket, cover			X	X	X	X	L1
D	3HAC073042-001	Base	X	X			X	X	L2
	3HAC073224-001	Base, Clean Room			X	X			L2
E	3HAC060417-001	Signal lamp unit (14 mm)	X	X	X	X	X	X	L1
F	3HAC044906-001	One-way valve			X	X	X	X	L1
G	3HAC072417-001	Air Connector, Clean Room			X	X			L1
H	3HAC072418-001	Plug, Clean Room			X	X			L1
	3HAC071966-001	Plug, Standard	X	X			X	X	L1
I	3HAC065318-001	Sealing washer M3			X	X	X	X	L1
-	3HAB3772-19	O-ring, Harting connector			X	X	X	X	L1

ⁱ The protection class of the ballscrew area is IP20. For more information, please contact ABB.

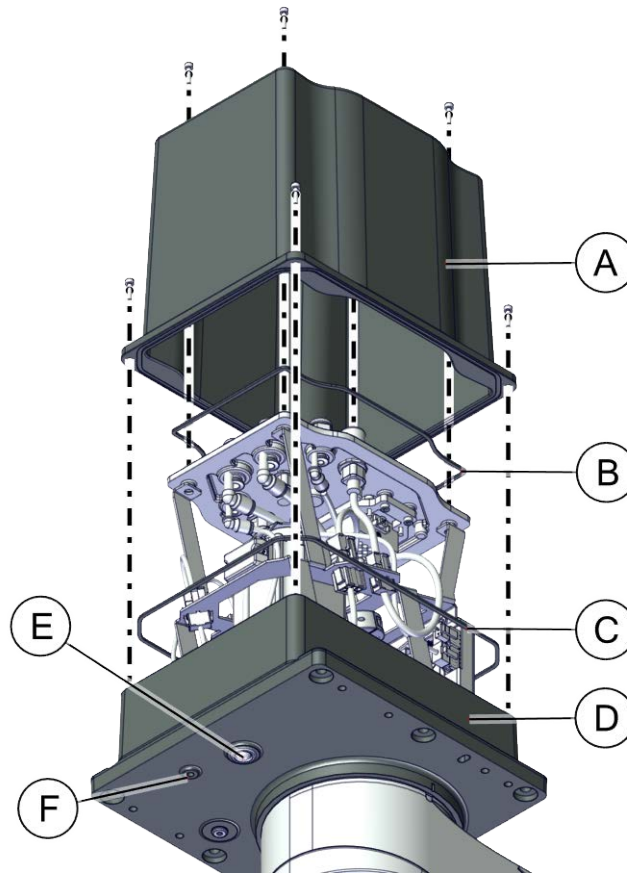
Continues on next page

1 Spare parts and exploded views

1.2.1 Base parts

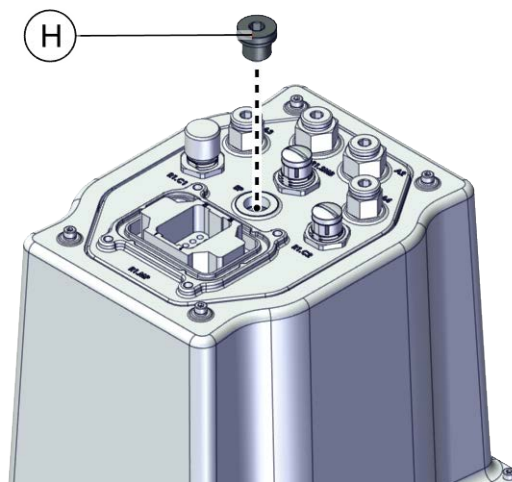
Continued

Spare part illustration



xx1800003535

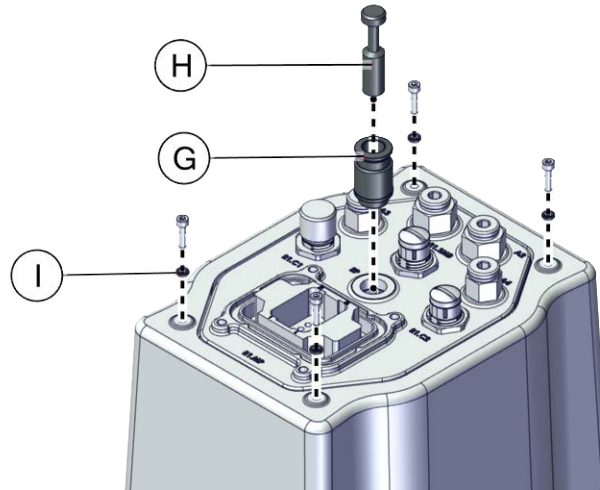
Standard



xx1900001524

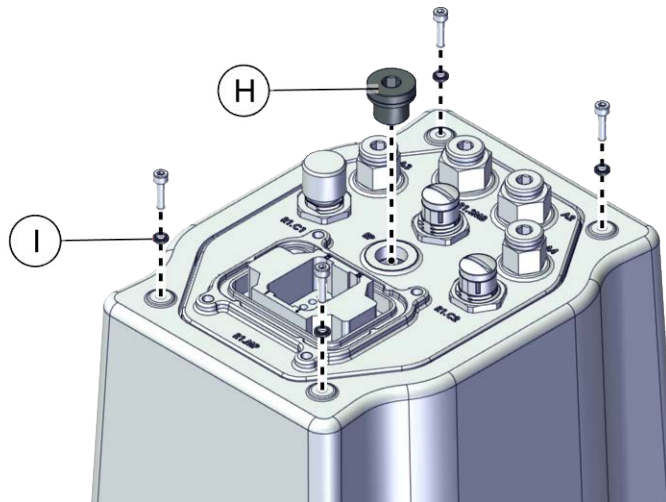
Continues on next page

CleanRoom



xx1900001525

IP54



xx1900001431

1 Spare parts and exploded views

1.3.1 Inner arm

1.3 Spare parts - inner arm

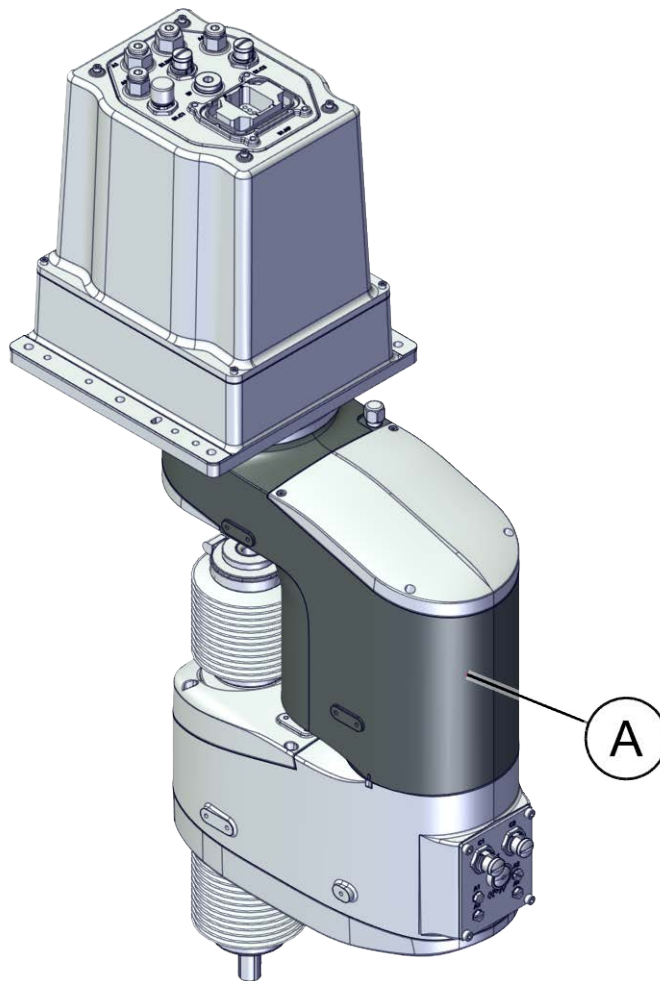
1.3.1 Inner arm

Spare part list

	Spare part number	Description	Standard, IP30 ⁱ		Clean Room		IP54		Spare part level
			3/0.35	6/0.55	3/0.35	6/0.55	3/0.35	6/0.55	
A	3HAC073048-001	Inner arm, 350 mm	X				X		L2
	3HAC073063-001	Inner arm, 550 mm		X				X	L2
	3HAC073226-001	Inner arm, 350 mm, Clean Room			X				L2
	3HAC073232-001	Inner arm, 550 mm, Clean Room				X			L2

ⁱ The protection class of the ballscrew area is IP20. For more information, please contact ABB.

Spare part illustration



xx1800003536

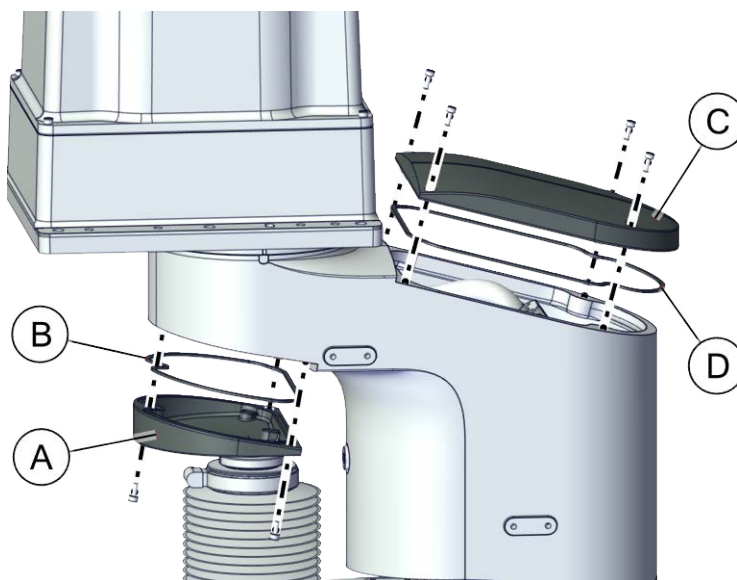
1.3.2 Inner arm parts

Spare part list

	Spare part number	Description	Standard, IP30 ⁱ		Clean Room		IP54		Spare part level
			3/0.35	6/0.55	3/0.35	6/0.55	3/0.35	6/0.55	
A	3HAC073049-001	Inner arm cover	X	X			X	X	L1
	3HAC073227-001	Inner arm cover, Clean Room			X	X			L1
B	3HAC066627-001	Gasket, cover			X	X	X	X	L1
C	3HAC073050-001	Inner arm cover casting	X	X			X	X	L1
	3HAC073228-001	Inner arm cover casting, Clean Room			X	X			L1
D	3HAC066626-001	Gasket, casting cover			X	X	X	X	L1

ⁱ The protection class of the ballscrew area is IP20. For more information, please contact ABB.

Spare part illustration



xx1800003537

1 Spare parts and exploded views

1.4.1 Outer arm

1.4 Spare parts - outer arm

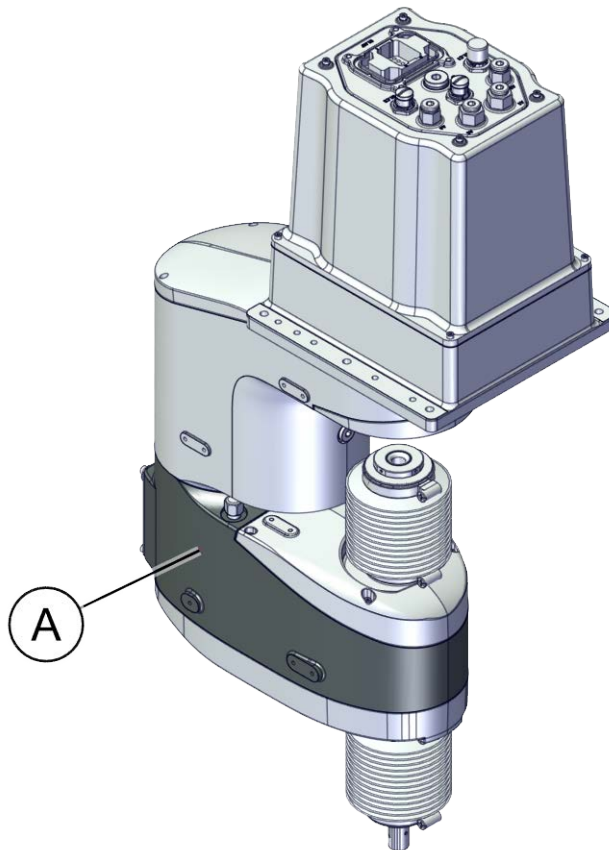
1.4.1 Outer arm

Spare part list

	Spare part number	Description	Standard, IP30 ⁱ		Clean Room		IP54		Spare part level
			3/0.35	6/0.55	3/0.35	6/0.55	3/0.35	6/0.55	
A	3HAC073053-001	Outer arm, 350 mm	X				X		L2
	3HAC073064-001	Outer arm, 550 mm		X				X	L2
	3HAC073229-001	Outer arm, 350 mm, Clean Room			X				L2
	3HAC073233-001	Outer arm, 550 mm, Clean Room				X			L2

ⁱ The protection class of the ballscrew area is IP20. For more information, please contact ABB.

Spare part illustration



xx1800003538

1.4.2 Outer arm parts

Spare part list

	Spare part number	Description	Standard, IP30 ⁱ		Clean Room		IP54		Spare part level
			3/0.35	6/0.55	3/0.35	6/0.55	3/0.35	6/0.55	
A	3HAC073059-001	Outer arm cover casting, 350 mm	X				X		L1
	3HAC073067-001	Outer arm cover casting, 550 mm		X				X	L1
	3HAC073231-001	Outer arm cover casting, 350 mm, Clean Room			X				L2
	3HAC073235-001	Outer arm cover casting, 550 mm, Clean Room				X			L2
B	3HAC061870-001	Gasket, casting cover, 350 mm			X		X		L1
	3HAC061871-001	Gasket, casting cover, 550 mm				X		X	L1
C	3HAC061857-001	Pulley Z2/3, 350mm	X		X		X		L2
	3HAC063637-001	Pulley Z2/3, 550mm		X		X		X	L2
D	3HAC073057-001	Pulley pre-assembly	X	X	X	X	X	X	L2
E	3HAC061860-001	Pulley Z4/4, 350mm	X		X		X		L2
	3HAC063638-001	Pulley Z4/4, 550mm		X		X		X	L2
F	3HAC066920-001	Gasket, cover, 350 mm			X		X		L1
	3HAC066921-001	Gasket, cover, 550 mm				X		X	L1
G	3HAC073058-001	Outer arm cover, 350 mm	X				X		L1
	3HAC073066-001	Outer arm cover, 550 mm		X				X	L1
	3HAC073230-001	Outer arm cover, 350 mm, Clean Room			X				L2
	3HAC073234-001	Outer arm cove, 550 mm, Clean Room				X			L2
H	3HAC061872-001	Gasket, Process Hub			X	X	X	X	L1

ⁱ The protection class of the ballscrew area is IP20. For more information, please contact ABB.

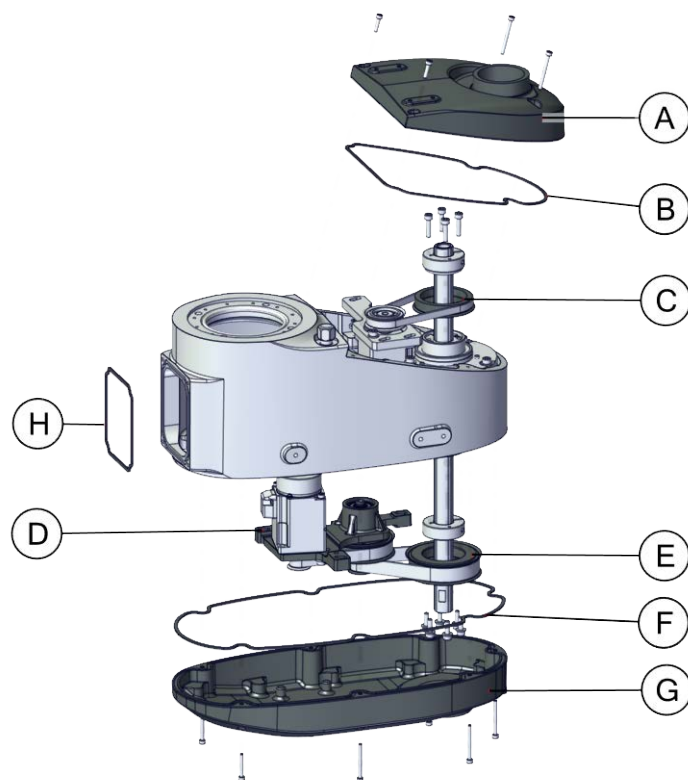
Continues on next page

1 Spare parts and exploded views

1.4.2 Outer arm parts

Continued

Spare part illustration



xx1800003539

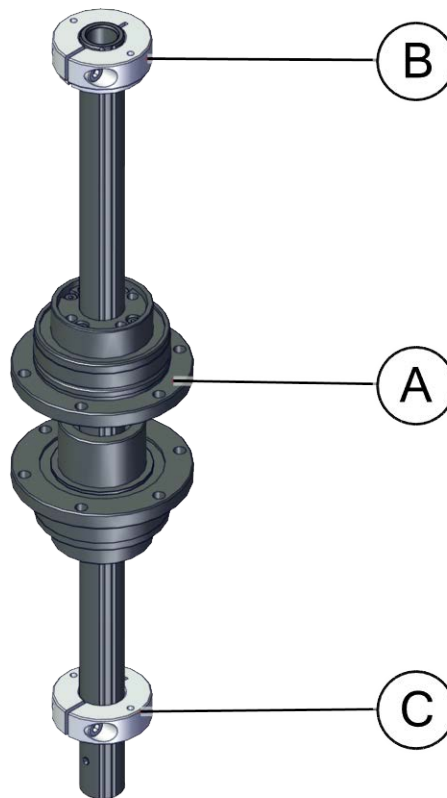
1.4.3 Ball screw

Spare part list

	Spare part number	Description	Standard, IP30 ⁱ		Clean Room		IP54		Spare part level
			3/0.35	6/0.55	3/0.35	6/0.55	3/0.35	6/0.55	
A	3HAC061865-001	Ball screw	X		X		X		L2
	3HAC063635-001	Ball screw		X		X		X	L2
B	3HAC073060-001	Mechanical-Stop top, D16	X		X		X		L2
	3HAC073068-001	Mechanical-Stop top, D20		X		X		X	L2
C	3HAC073061-001	Mechanical-Stop bottom, D16	X		X		X		L2
	3HAC073069-001	Mechanical-Stop bottom, D20		X		X		X	L2

ⁱ The protection class of the ballscrew area is IP20. For more information, please contact ABB.

Spare part illustration





xx1800003540

1 Spare parts and exploded views

1.4.4 Bellows

1.4.4 Bellows

Spare part list

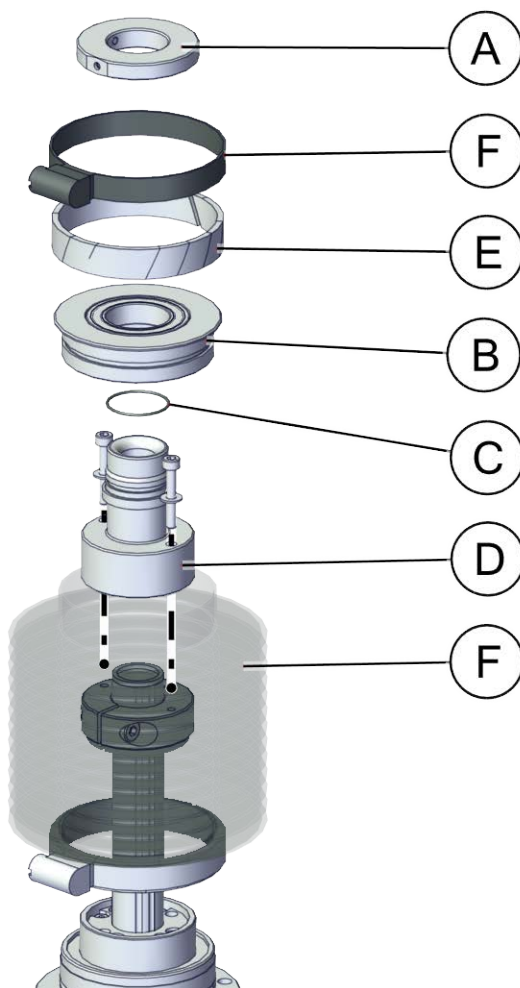
	Spare part number	Description	Standard, IP30 ⁱ		Clean Room		IP54		Spare part level
			3/0.35	6/0.55	3/0.35	6/0.55	3/0.35	6/0.55	
A	3HAC066654-001	Cover, BS16, 350 mm			X		X		L1
	3HAC066915-001	Cover, BS20, 550 mm				X		X	L1
B	3HAC073237-001	Housing, BS16, 350 mm			X		X		L2
	3HAC073240-001	Housing, BS20, 550 mm				X		X	L2
C	3HAB3772-198	O-ring, 350 mm			X		X		L2
	3HAC061327-023	O-ring, 550 mm				X		X	L2
D	3HAC073236-001	Extension shaft, BS16, 350 mm			X		X		L2
	3HAC073239-001	Extension shaft, BS20, 550 mm				X		X	L2
E	3HAC071546-001	Bellow Gasket, 350 mm					X		L2
	3HAC071547-001	Bellow Gasket, 550 mm						X	L2
F	3HAC062062-001	Bellow, 350 mm  Note Bellow is wear part.			X		X		L2
	3HAC066917-001	Bellow, 550 mm  Note Bellow is wear part.				X		X	L2
G	3HAC066656-001	Shaft, BS16, 350 mm			X		X		L1
	3HAC066916-001	Shaft, BS20, 550 mm				X		X	L1
H	3HAC073238-001	Housing Lower, BS16, 350 mm			X		X		L2
	3HAC073241-001	Housing Lower, BS20, 550 mm				X		X	L2
I	3HAC067936-001	Cover Lower, BS16, 350 mm			X		X		L1
	3HAC067937-001	Cover Lower, BS20, 550 mm				X		X	L1

ⁱ The protection class of the ballscrew area is IP20. For more information, please contact ABB.

Continues on next page

Spare part illustration

Upper bellow



xx1900001429

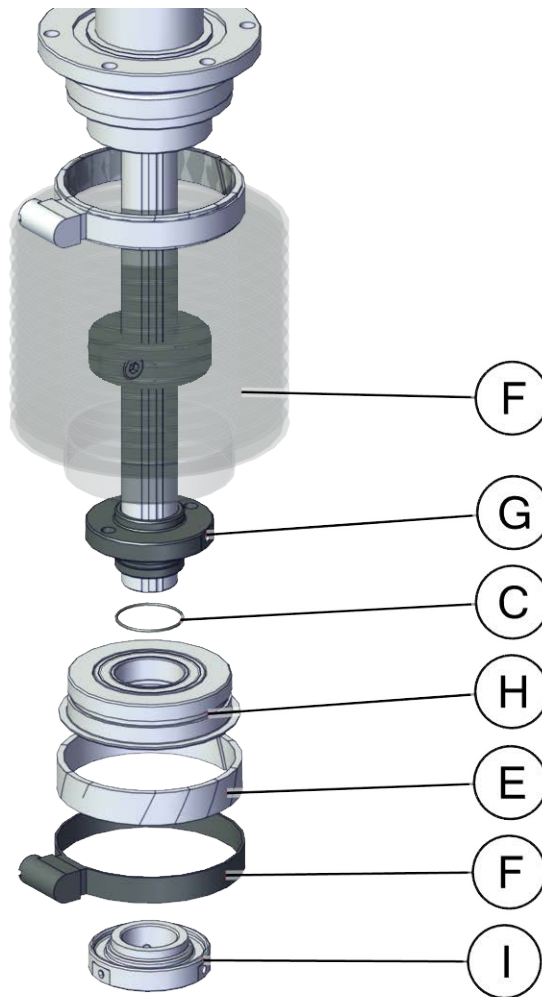
Continues on next page

1 Spare parts and exploded views

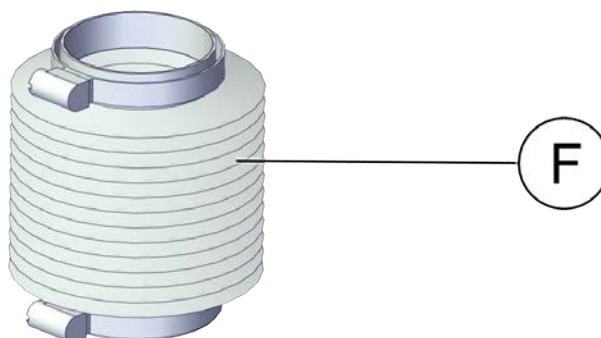
1.4.4 Bellows

Continued

Lower bellow



xx1900001430



xx1900002050

1.5 Spare parts - motors

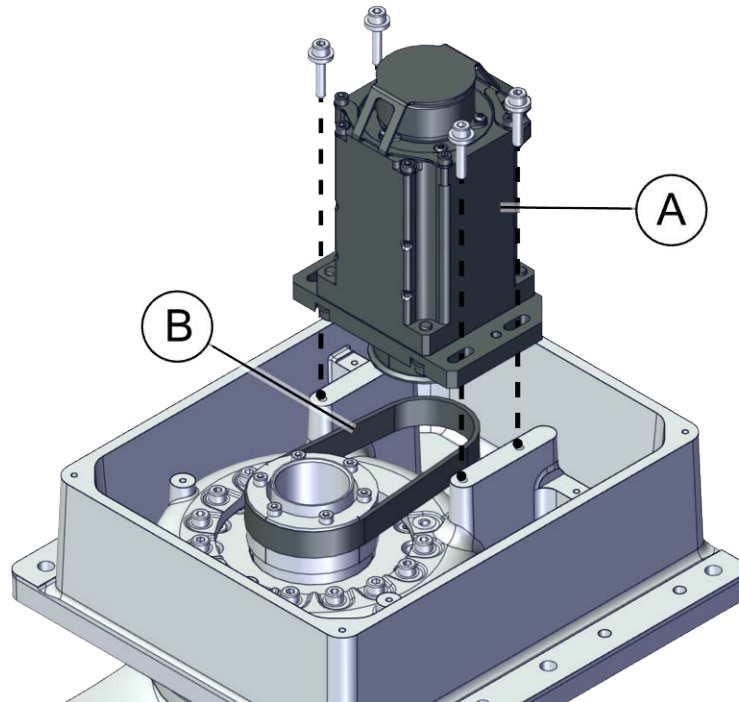
1.5.1 Axis-1 motor sub-assembly

Spare part list

	Spare part number	Description	Standard, IP30 ⁱ		Clean Room		IP54		Spare part level
			3/0.35	6/0.55	3/0.35	6/0.55	3/0.35	6/0.55	
A	3HAC083595-001	Axis-1 motor sub-assembly	X	X	X	X	X	X	L2
B	3HAC061864-001	Timing belt	X	X	X	X	X	X	L2

ⁱ The protection class of the ballscrew area is IP20. For more information, please contact ABB.

Spare part illustration



xx1800003541

1 Spare parts and exploded views

1.5.2 Axis-2 motor sub-assembly

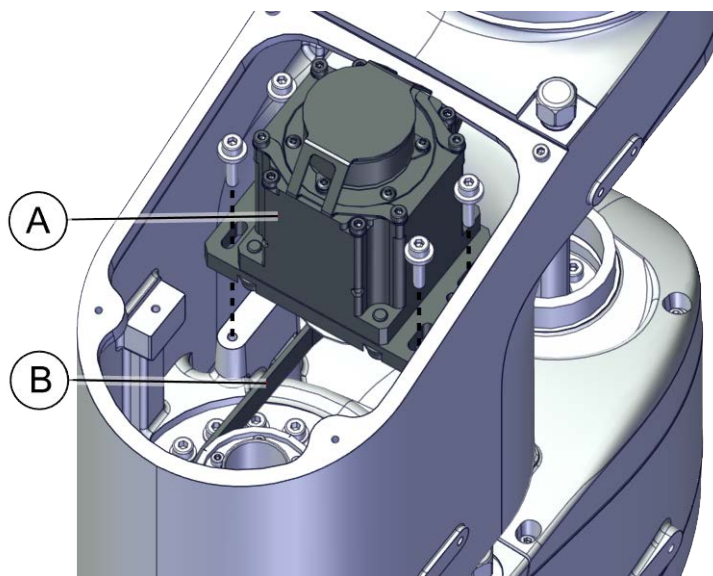
1.5.2 Axis-2 motor sub-assembly

Spare part list

	Spare part number	Description	Standard, IP30 ⁱ		Clean Room		IP54		Spare part level
			3/0.35	6/0.55	3/0.35	6/0.55	3/0.35	6/0.55	
A	3HAC083593-001	Axis-2 motor sub-assembly	X		X		X		L2
	3HAC083595-001	Axis-2 motor sub-assembly		X		X		X	L2
B	3HAC061861-001	Timing belt	X	X	X	X	X	X	L2

ⁱ The protection class of the ballscrew area is IP20. For more information, please contact ABB.

Spare part illustration



xx1800003542

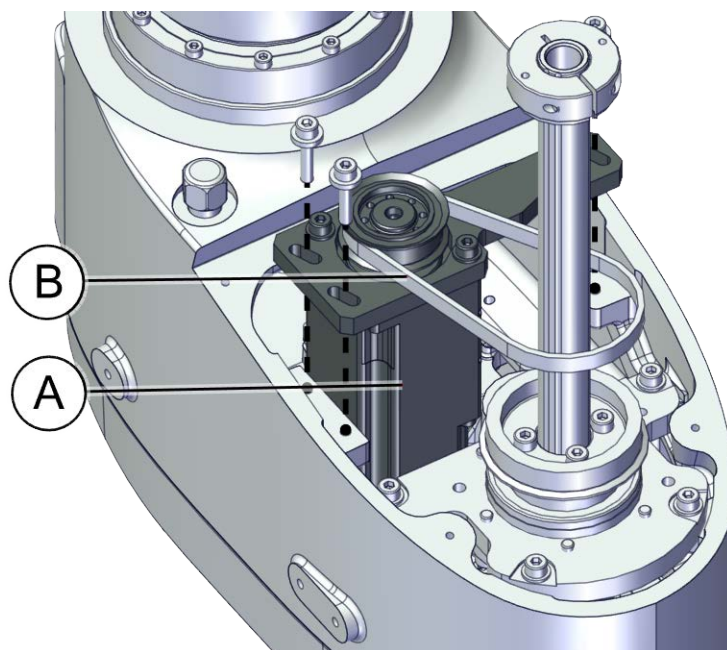
1.5.3 Axis-3 motor sub-assembly

Spare part list

	Spare part number	Description	Standard, IP30 ⁱ		Clean Room		IP54		Spare part level
			3/0.35	6/0.55	3/0.35	6/0.55	3/0.35	6/0.55	
A	3HAC083594-001	Axis-3 motor sub-assembly	X	X	X	X	X	X	L2
B	3HAC061862-001	Timing belt	X	X	X	X	X	X	L2

ⁱ The protection class of the ballscrew area is IP20. For more information, please contact ABB.

Spare part illustration



xx1800003543

1 Spare parts and exploded views

1.5.4 Axis-4 motor sub-assembly

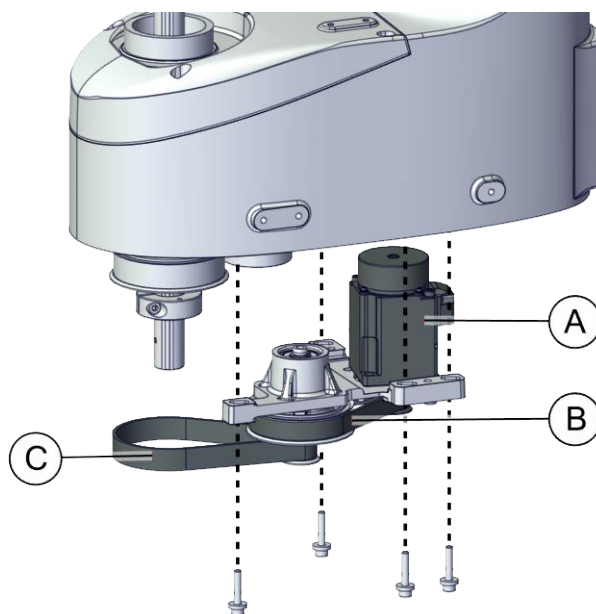
1.5.4 Axis-4 motor sub-assembly

Spare part list

	Spare part number	Description	Standard, IP30 ⁱ		Clean Room		IP54		Spare part level
			3/0.35	6/0.55	3/0.35	6/0.55	3/0.35	6/0.55	
A	3HAC083592-001	Axis-4 motor sub-assembly	X		X		X		L2
	3HAC083590-001	Axis-4 motor sub-assembly		X		X		X	L2
B	3HAC061863-001	Timing belt	X	X	X	X	X	X	L2
C	3HAC061864-001	Timing belt	X	X	X	X	X	X	L2

ⁱ The protection class of the ballscrew area is IP20. For more information, please contact ABB.

Spare part illustration



xx1800003544

1.6 Spare parts - gearboxes

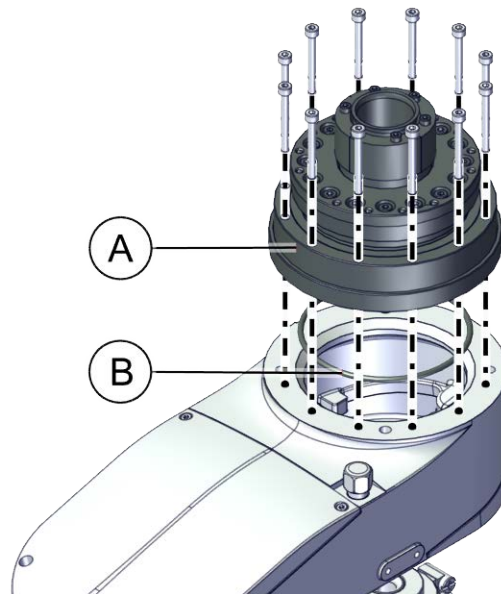
1.6.1 Axis-1 gearbox

Spare part list

	Spare part number	Description	Standard, IP30 ⁱ		Clean Room		IP54		Spare part level
			3/0.35	6/0.55	3/0.35	6/0.55	3/0.35	6/0.55	
A	3HAC073046-001	Axis-1 gear unit sub-assembly	X		X		X		L2
	3HAC073062-001	Axis-1 gear unit sub-assembly		X		X		X	L2
B	3HAB3772-102	O-ring			X	X	X	X	L2

ⁱ The protection class of the ballscrew area is IP20. For more information, please contact ABB.

Spare part illustration



xx1800003545

1 Spare parts and exploded views

1.6.2 Axis-2 gearbox

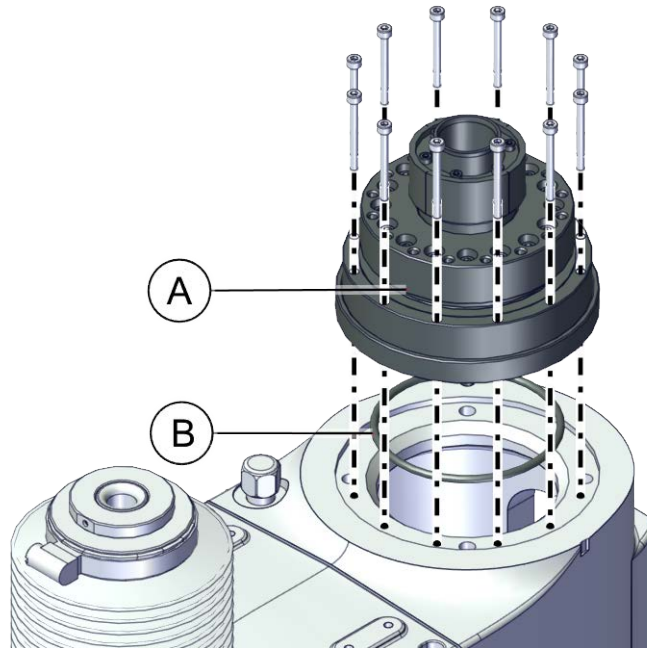
1.6.2 Axis-2 gearbox

Spare part list

	Spare part number	Description	Standard, IP30 ⁱ		Clean Room		IP54		Spare part level
			3/0.35	6/0.55	3035	6055	3035	6055	
A	3HAC073054-001	Axis-2 gear unit sub-assembly	X	X	X	X	X	X	L2
B	3HAB3772-163	O-ring			X	X	X	X	L2

ⁱ The protection class of the ballscrew area is IP20. For more information, please contact ABB.

Spare part illustration





xx1800003546

1.7 Spare parts - Accessories

1.7.1 Axis Calibration items - Protective plug

Spare part list

Spare part number	Description	Illustration	Spare part level
3HAC059556-001	Protective plug for bushing	 <p data-bbox="999 864 1107 882">xx1900000089</p>	L1
3HAC059557-001	Protective plug for bushing	 <p data-bbox="999 1196 1107 1214">xx1900001532</p>	L1

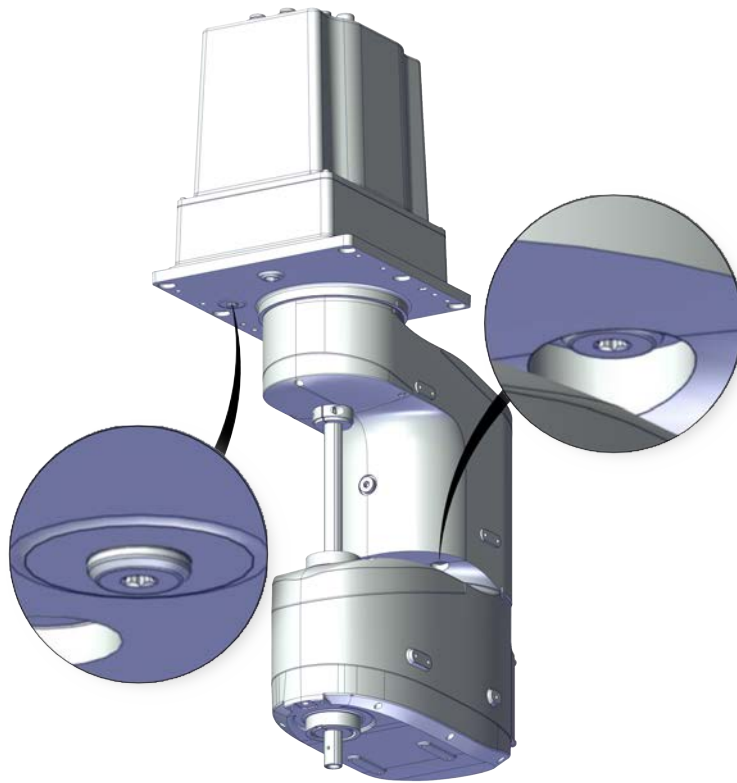
Spare part illustration

Continues on next page

1 Spare parts and exploded views

1.7.1 Axis Calibration items - Protective plug


Continued



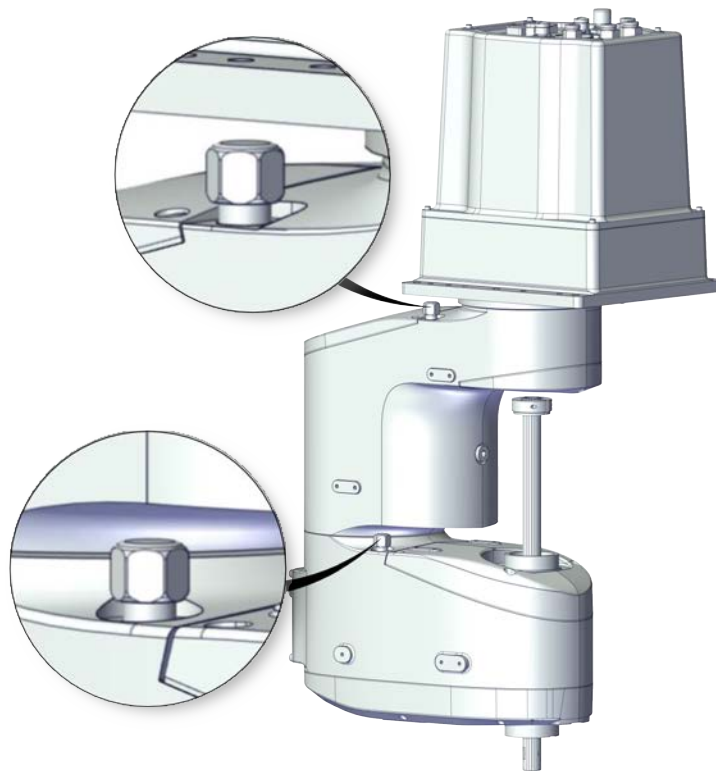
xx190000087

1.7.2 Axis Calibration items - Protective cap

Spare part list

Spare part number	Description	Illustration	Spare part level
3HAC056253-003	Calibration pin cover, 10 mm	 xx190000090	L1

Spare part illustration




xx190000088

1 Spare parts and exploded views

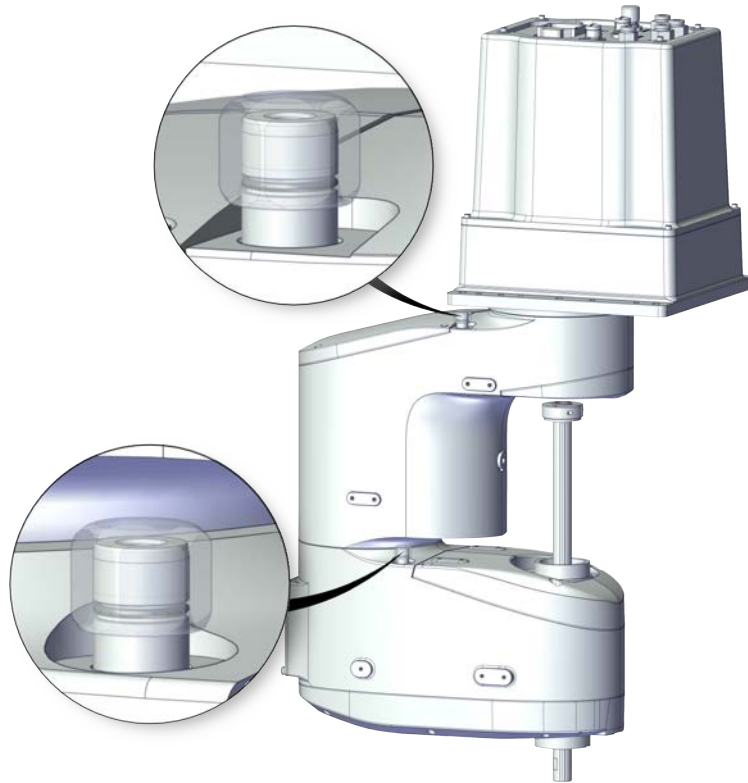
1.7.3 Axis Calibration items - O-Ring

1.7.3 Axis Calibration items - O-Ring

Spare part list

Spare part number	Description	Illustration	Spare part level
3HAC061327-022	O-ring	 xx190000091	L1

Spare part illustration



xx190000092

1.7.4 Special tools

Spare part list

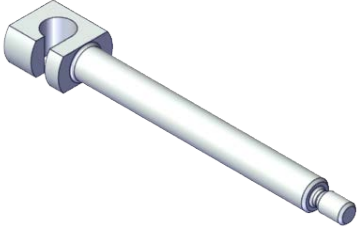
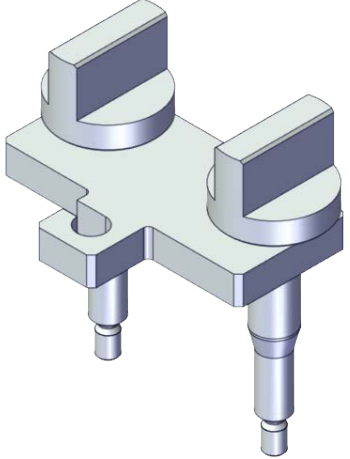
Spare part number	Description	Illustration
-	<p>Belt tension adjustment tool set, axis 1&2</p> <p>Included in the special toolkit 3HAC073070-001.</p> <p>Used to adjust the tension of axis-1&2 timing belts.</p> <p>Special tool for L2</p>	 <p>xx1900000085</p>
-	<p>Belt tension adjustment tool set, stage two of axis 4</p> <p>Included in the special toolkit 3HAC073070-001.</p> <p>Used to adjust the tension of axis-4 timing belt.</p> <p>Special tool for L2</p>	 <p>xx1900000086</p>



ABB AB

Robotics & Discrete Automation

S-721 68 VÄSTERÅS, Sweden

Telephone +46 (0) 21 344 400

ABB AS

Robotics & Discrete Automation

Nordlysvegen 7, N-4340 BRYNE, Norway

Box 265, N-4349 BRYNE, Norway

Telephone: +47 22 87 2000

ABB Engineering (Shanghai) Ltd.

Robotics & Discrete Automation

No. 4528 Kangxin Highway

PuDong New District

SHANGHAI 201319, China

Telephone: +86 21 6105 6666

ABB Inc.

Robotics & Discrete Automation

1250 Brown Road

Auburn Hills, MI 48326

USA

Telephone: +1 248 391 9000

abb.com/robotics